

ICOM IC-7000-HDMI Separation kit



Before you begin, please read this manual carefully!

1. OVERVIEW

This separation kit works with following transceivers:

- ICOM IC-7000

Features:

- HDMI and micro HDMI cable connectors;
- Additional Power button on a base unit adapter.

The separation kit uses a HDMI to micro HDMI cable for connection between display and base units. Quality of this cable affects overall transmit quality: with some cheap HDMI cables weak digital noise may exist during transmission.

Note: some HDMI to micro HDMI cables don't not follow specification and don't have some wires inside a cable. Please send support request before buying a cable!

2. INSTALLATION

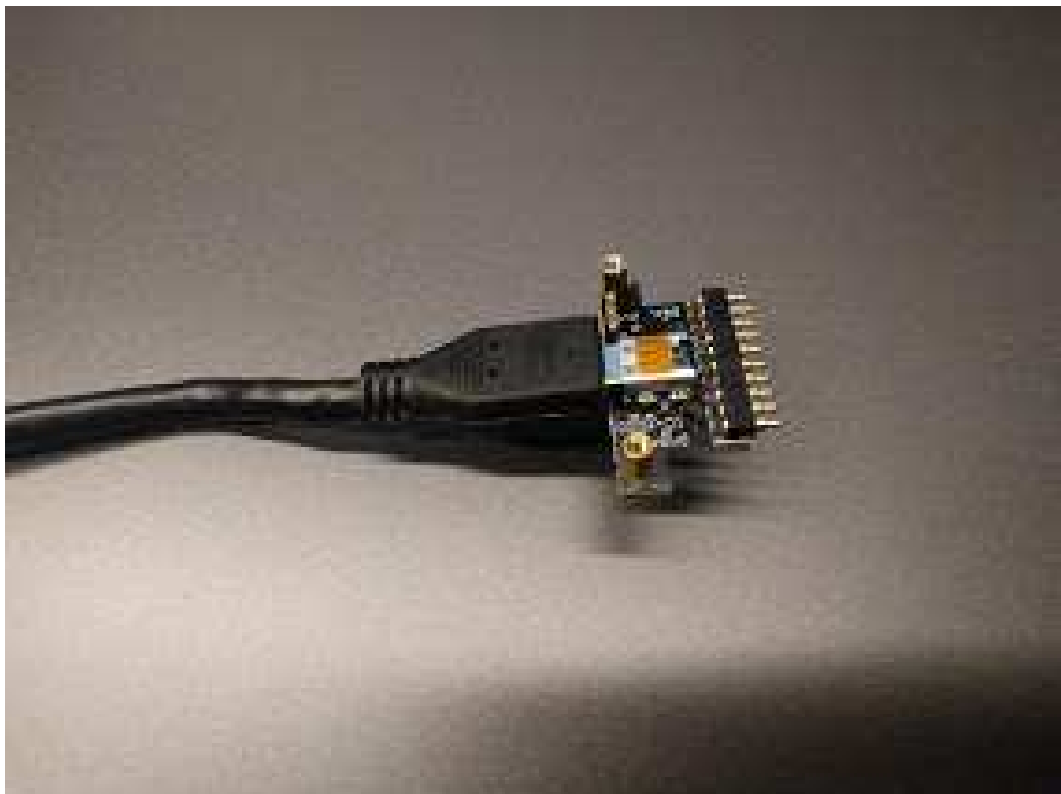
Attention: remove power before you install the separation kit!

Picture below show how to install the separation kit correctly:

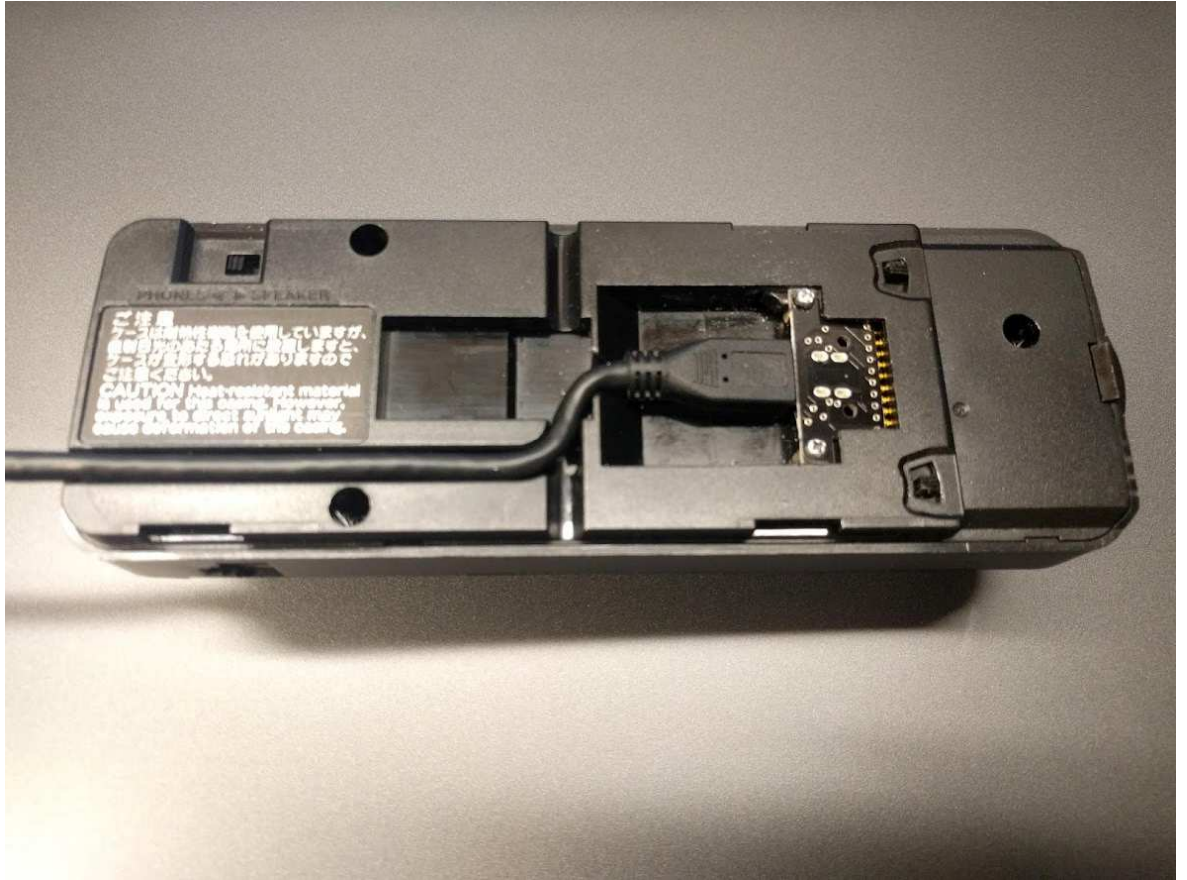
1. Setup the base unit adapter and fix it with a thumb screw:



2. Insert a micro HDMI connector to a head unit adapter:

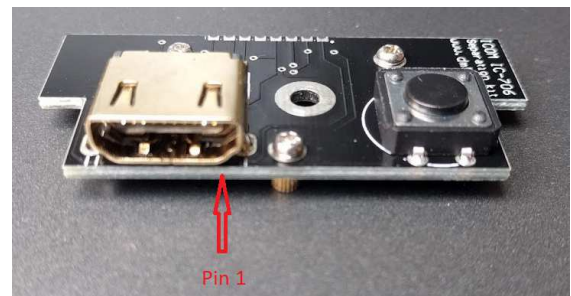
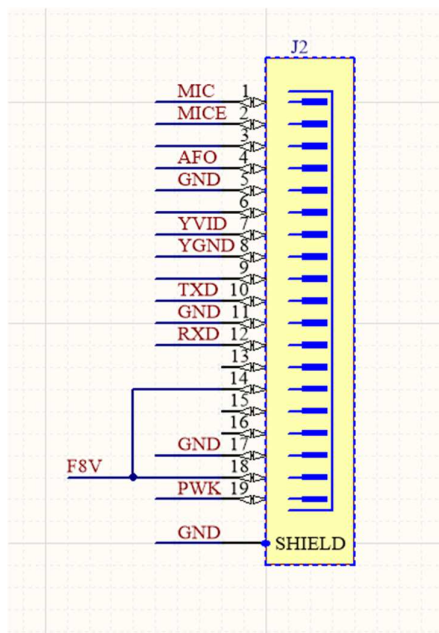


3. Insert a head unit adapter:



4. Power on.

3. HDMI CONNECTOR PINOUT



4. SUPPORT

Web: www.dm5al.de
email: support@dm5al.de
Whatsapp: +4915256982577