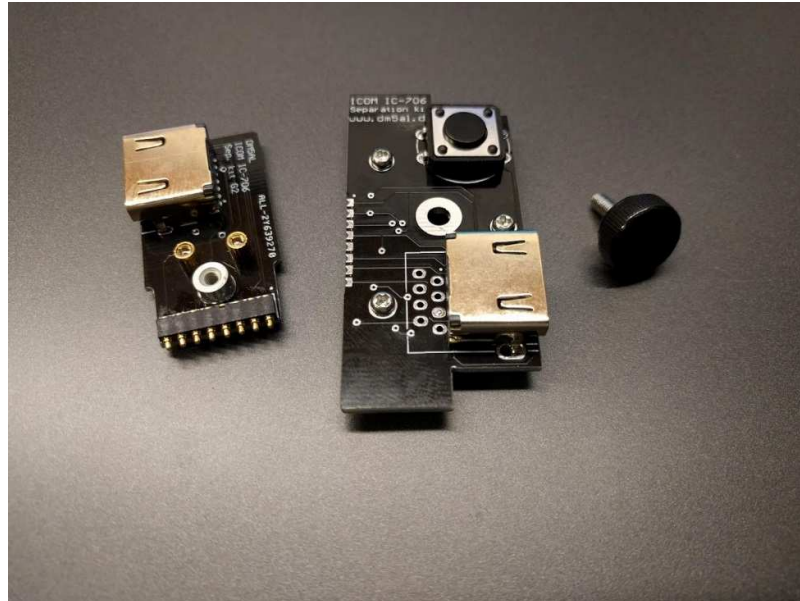


DM5AL LAB

ICOM IC-706-HDMI Separation kit



Before you begin, please read this manual carefully!

1. OVERVIEW

This separation kit works with following transceivers:

- ICOM IC-703
- ICOM IC-703 Plus
- IC-706
- IC-706MkII
- IC-706MkIIG

Features:

- HDMI cable connectors;
- Additional Power button on a base unit adapter.

The separation kit uses a normal HDMI cable (not included) for connection between display and base units. Quality of this cable affects overall transmit quality: with some cheap HDMI cables weak digital noise may exist during transmission.

Note: some HDMI connectors may fit not quite good on a display unit adapter, please consider to use "slim" HDMI cables!

2. INSTALLATION

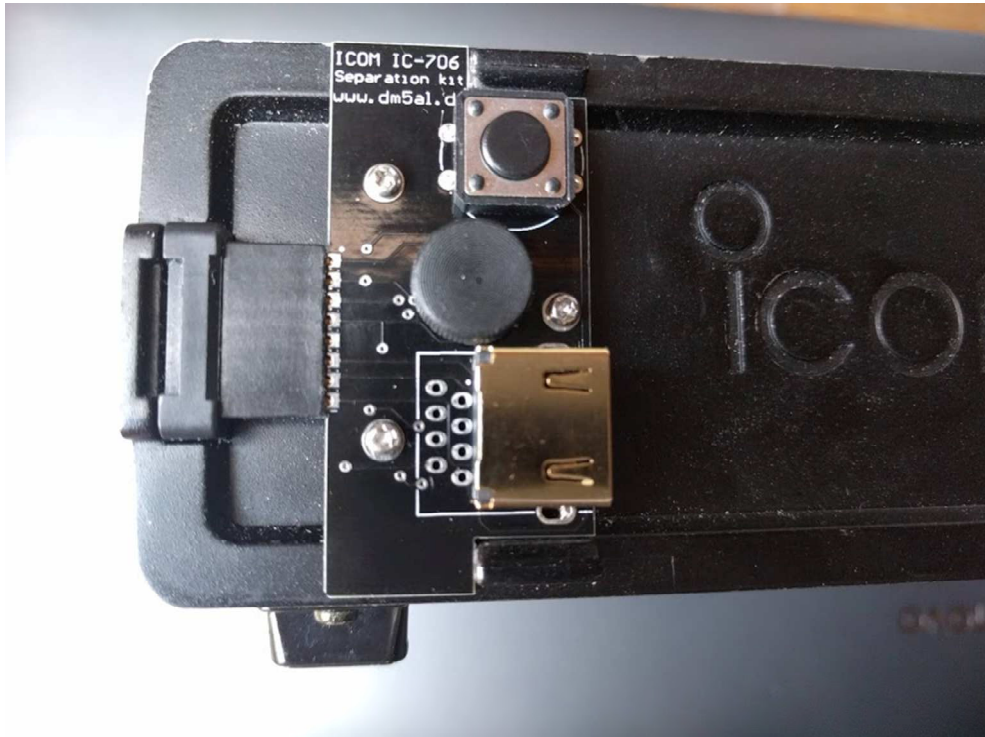
Attention: remove power before you install the separation kit!

Picture below show how to install the separation kit correctly:

1. Position base unit adapter as it shown on a picture below. Pogo pins must be positioned strictly to half holes on the edge of the base unit adapter!



2. Push the base unit adapter and fix it with a thumb screw:

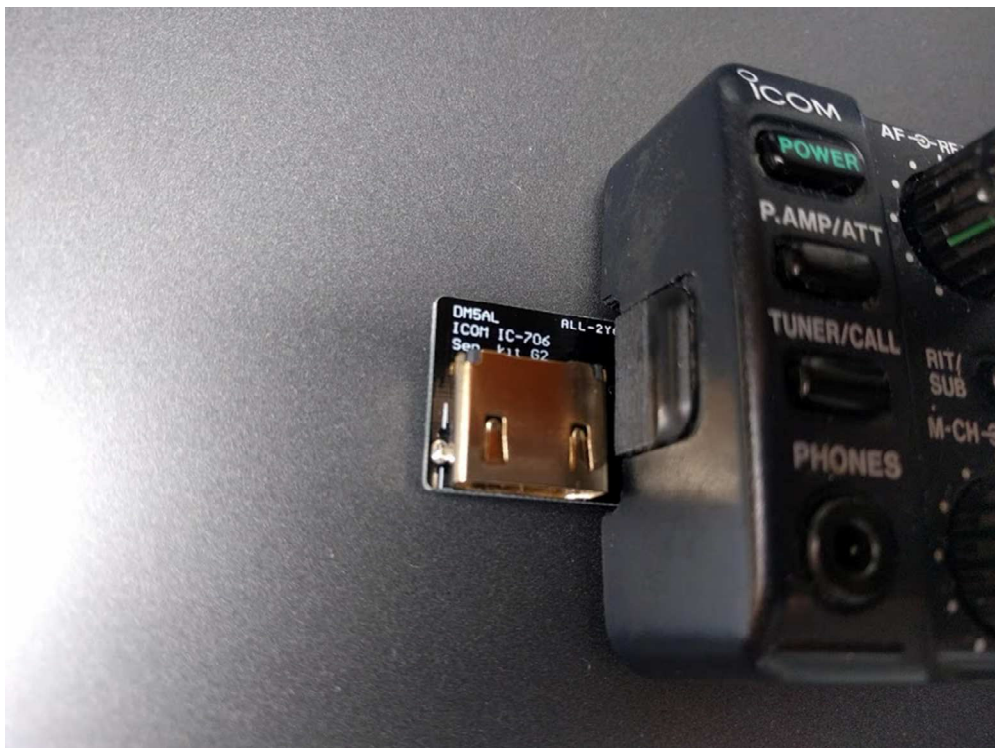


- 3.

4. Check that pogo pins points exactly to the edge connector of the base unit adapter:



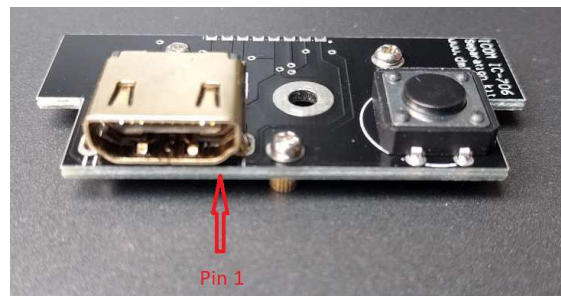
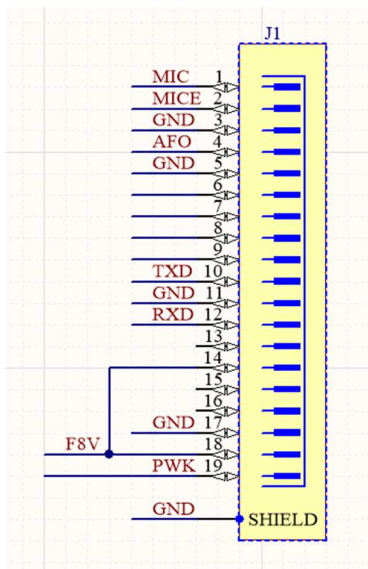
5. Insert a head unit adapter until it is fixed with original locker:





6. Insert HDMI cable and power the device on.

3. HDMI CONNECTOR PINOUT



4. SUPPORT

Web: www.dm5al.de
 email: support@dm5al.de
 Whatsapp: +4915256982577